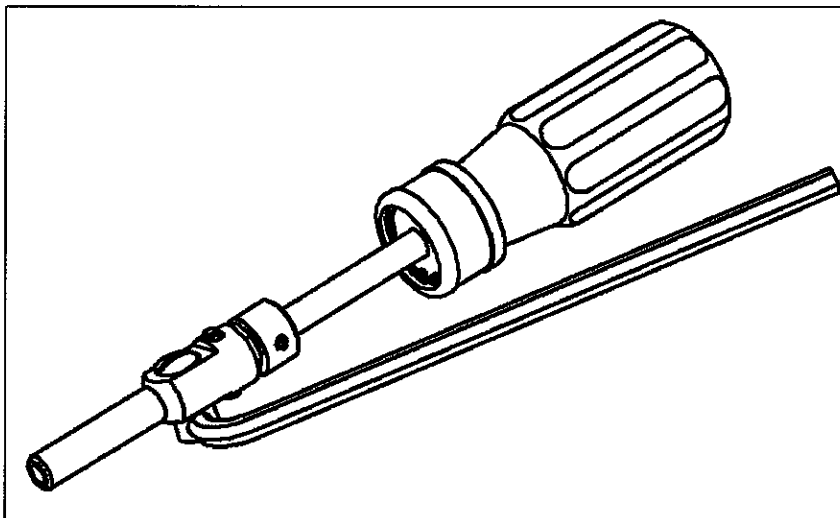
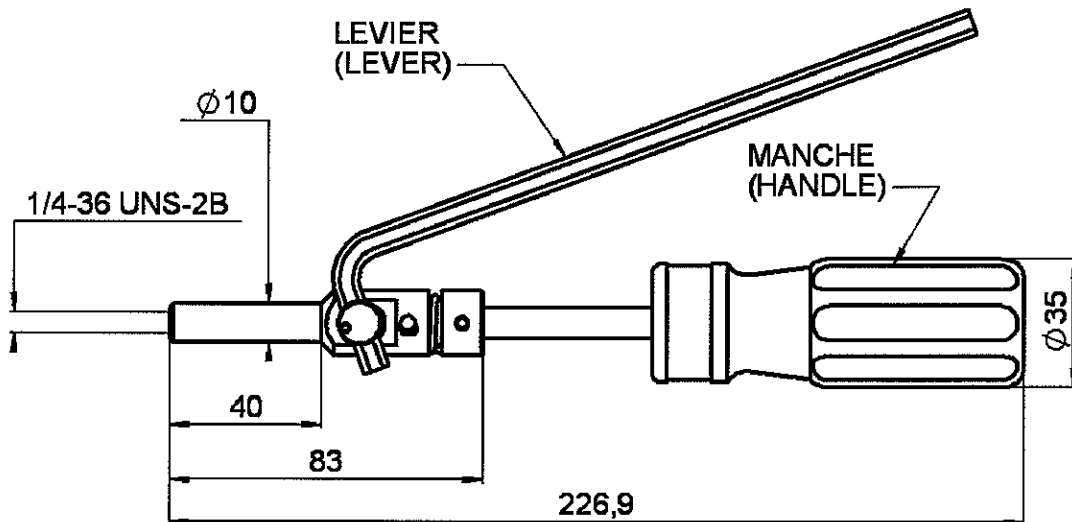


**TORQUE WRENCH**

**1/4-36 UNS \* 280 NCM**

**R282.341.012**

Series : **OUT**



SCALE 0.5/1

**DIRECTIONS FOR USE**

**1- Mounting of the connector :**

- 1-1 Screw the connector until it's stop ,by hand into its housing
- 1-2 Remove the lever .Screw the tool onto the connector until it stop
- 1-3 Going on turning the handle until the release of the spring trigger (turn slowly without touching joining piece)
- 1-4 Screw off the tool :turn handle in the opposite direction ;the tool is set free and the connector remains locked into its housing

**2- Dismounting of the connector :**

- 2-1 Screw the tool onto the connector, tighten without releasing
- 2-2 Put the lever in position into the tool
- 2-3 Press lever against the handle while turning anticlockwise .The connector is locked inside the tool and is set free from the panel
- 2-4 Remove the lever ,the connector is completely free
- 2-5 Screw off the tool
- 2-6 Screw off the connector by hand (it is in the panel or in the tool)

